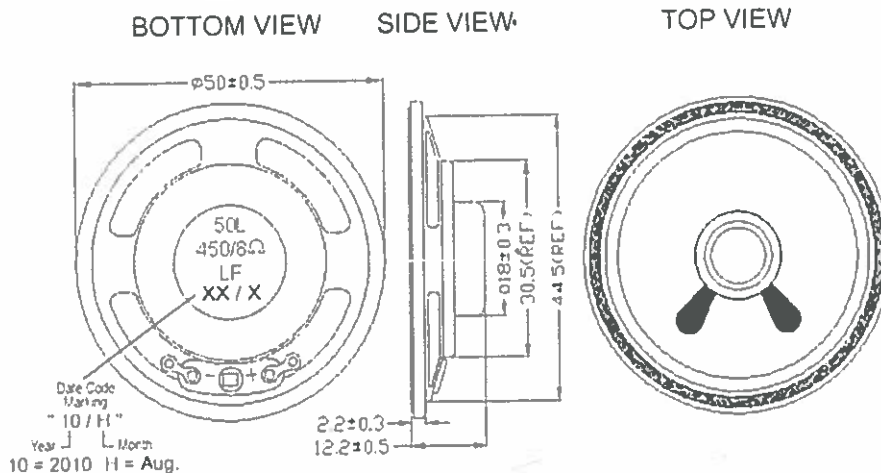


**SCOPE:** This specification applies to speaker **TRS-50008DB**

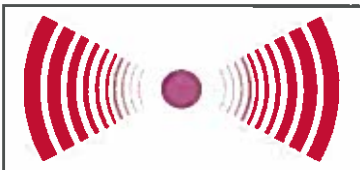
**SPECIFICATIONS:**

No.	Item	Unit	Specification	Condition
1	Shape		Round	
2	Magnet(N35)	mm	12.5 X 2.0	
3	Diameter	mm	50	
4	Height	mm	12.2 +/-0.5	
5	Back Dia.	mm	18 +/- 0.3	
6	Resonant frequency	Hz	450 +/- 20%	
7	Response frequency	Hz	5.0K	
8	Rated power	W	1.0	
9	Max power	W	1.5	
10	Output	dB	85 +/-3.0	1W (1m) AVE0.8K, 1.0K,1.2K, 1.5K (Hz)
11	Standard impedance	Ohm	8.0 +/- 15%	@ 1V
12	Terminal		NIL	
13	Buzzer & rattles		2.83 V Sine Wave	
14	Distortion		5% Max	1.0W, 1.0KHz
15	Operating temp	C	-20 ~ +55	
16	Storage temp	C	-30 ~ +60	
17	Housing material		Metal	
18	Diaphragm		Paper cone	
19	Weight	g	14.8	

**DIMENSIONS:**



**Transducers USA**  
Confidential and Proprietary



**Transducers USA**  
1400 Howard Street  
Elk Grove, IL 60007  
Toll Free: 888-921-6400 FAX: 847-956-1950  
[www.tusainc.com](http://www.tusainc.com) info@tusainc.com

All dimensions are in MM unless otherwise specified

Drawing Number:  
**TRS-50008DB**

**Speaker**

Date:  
**08/30/2010**

THE INFORMATION DISCLOSED HEREIN WAS ORIGINATED BY AND IS THE PROPERTY OF TRANSDUCERS USA, INC. AND EXCEPT FOR USE EXPRESSLY GRANTED TO THE UNITED STATES GOVERNMENT TRANSDUCERS USA, INC. RESERVES ALL PATENT PROPRIETARY DESIGN, USE, SALE, MANUFACTURING AND PRODUCTION RIGHTS THERETO. THIS DOES NOT APPLY TO VENDOR