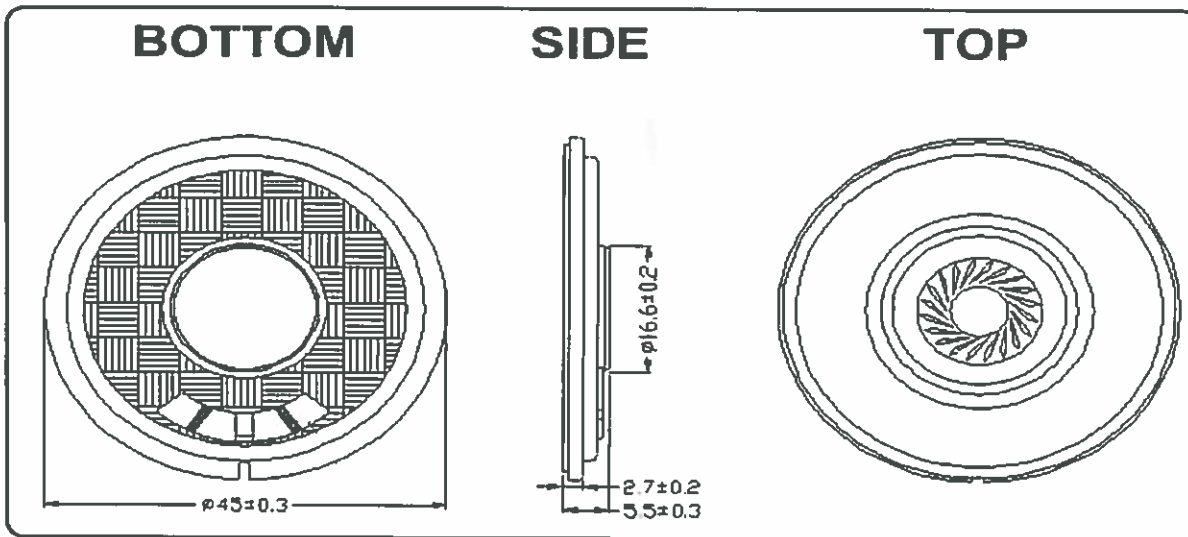


SCOPE: This specification applies to Mylar speaker TRS-45008SC

SPECIFICATIONS:

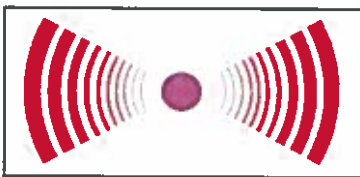
No.	Item	Unit	Specification	Condition
1	Shape	Round		
2	Magnet	mm	12.5 X1.5	NdFeB
3	Diameter	mm	45	
4	Height	mm	5.5 +/-0.3	
5	Resonant frequency	Hz	450 +/- 20%	
6	Frequency range	Hz	F0 - 4500	
7	Rated power	W	0.25	
8	Max power	W	0.5	
9	Output	dB	82 +/-3.0	1W (1m) AVE0.8K, 1.0K,1.2K, 1.5K (Hz)
10	Rated impedance	Ohm	100 +/- 15%	@ 1KHz 1.0 Vrms
11	Operating temp	C	-20 ~ +60	
12	Storage temp	C	-30 ~ +60	
13	Housing material		Metal	
14	Diaphragm		Mylar	
15	Weight	g	11	

DIMENSIONS:



Tolerance: ± 0.5 mm except specified

Transducers USA
Confidential and Proprietary



Transducers USA
1400 Howard Street
Elk Grove, IL 60007
Toll Free: 888-921-6400 FAX: 847-956-1950
www.tusainc.com info@tusainc.com

All dimensions are in MM unless otherwise specified

Drawing Number:
TRS-45008SC

Mylar Speaker

Date:
10/25/2011

THE INFORMATION DISCLOSED HEREIN WAS ORIGINATED BY AND IS THE PROPERTY OF TRANSDUCERS USA, INC. AND EXCEPT FOR USE EXPRESSLY GRANTED TO THE UNITED STATES GOVERNMENT TRANSDUCERS USA, INC. RESERVES ALL PATENT PROPRIETARY DESIGN, USE, SALE, MANUFACTURING AND PRODUCTION RIGHTS THERETO. THIS DOES NOT APPLY TO VENDOR