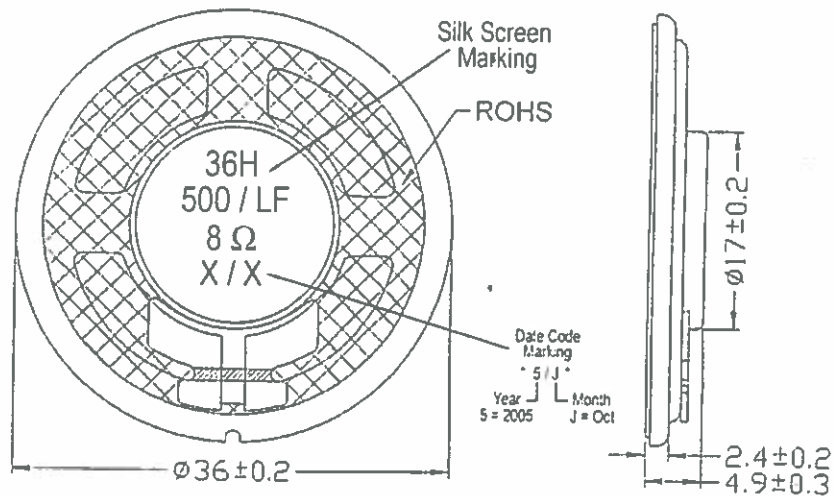


SCOPE: This specification applies to Mylar speaker TRS-36008DB

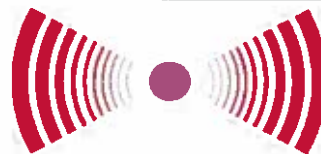
SPECIFICATIONS:

No.	Item	Unit	Specification	Condition
1	Shape		Round	
2	Magnet(N35)	mm	12.5 X1.5	
3	Diameter	mm	36	
4	Height	mm	4.9 +/-0.3	
5	Back Dia.	mm	17 +/- 0.2	
6	Resonant frequency	Hz	500 +/- 20%	
7	Response frequency	Hz	10.0K	
8	Rated power	W	0.5	
9	Max power	W	0.8	
10	Output	dB	90 +/-3.0	1W (1m) AVE0.8K, 1.0K,1.2K, 1.5K (Hz)
11	Standard impedance	Ohm	8 +/- 15%	@ 1V
12	Terminal		NIL	
13	Buzzer & rattles		2.0 V Sine Wave	
14	Distortion		5% Max	0.5W, 1.0KHz
15	Operating temp	C	-20 ~ +55	
16	Storage temp	C	-30 ~ +60	
17	Housing material		Metal	
18	Diaphragm		Mylar	
19	Weight	g	8.6	

DIMENSIONS:



Transducers USA
Confidential and Proprietary



Transducers USA
1400 Howard Street
Elk Grove, IL 60007
Toll Free: 888-921-6400 FAX: 847-956-1950
www.tusainc.com info@tusainc.com

All dimensions are in MM unless otherwise specified

Drawing Number:

TRS-36008DB

Mylar Speaker

Date:

10/25/2005

THE INFORMATION DISCLOSED HEREIN WAS ORIGINATED BY AND IS THE PROPERTY OF TRANSDUCERS USA, INC. AND EXCEPT FOR USE EXPRESSLY GRANTED TO THE UNITED STATES GOVERNMENT TRANSDUCERS USA, INC. RESERVES ALL PATENT PROPRIETARY DESIGN, USE, SALE, MANUFACTURING AND PRODUCTION RIGHTS THERE TO. THIS DOES NOT APPLY TO VENDOR