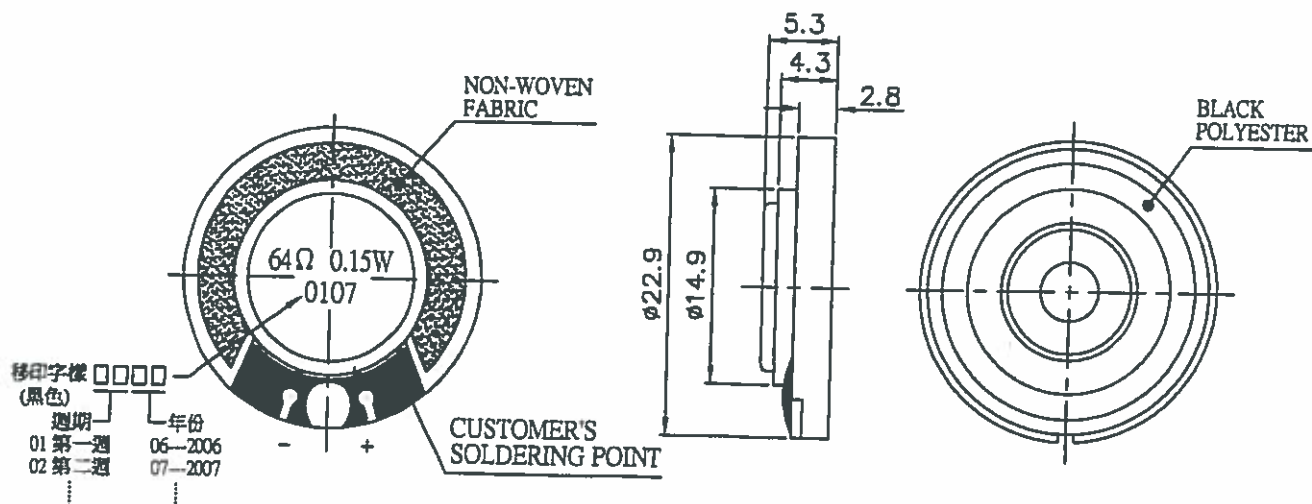


SCOPE: This specification applies to Mylar speaker **KDSG-23064**

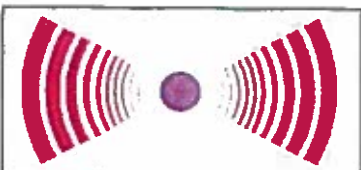
SPECIFICATIONS:

No.	Item	Unit	Specification	Condition
1	Shape	Round		
2	Magnet	mm	9.5 X1.5	NdFeB
3	Diameter	mm	22.9	
4	Height	mm	5.3 +/-0.3	
5	Resonant frequency	Hz	560 +/- 20%	@1.0V
6	Frequency range	Hz	Fo - 8.0K	
7	Rated power	W	0.15	
8	Max power	W	0.3	
9	Output	dB	89 +/-3.0 (10cm)	At 1.0K, 1.2K, 1.5K, 2.0K Hz
10	Rated impedance	Ohm	64 +/- 15%	@ 1.0 KHz 1.0 Vrms
11	Operating temp	C	-20 ~ +55	
12	Storage temp	C	-30 ~ +60	
13	Housing material		PBT Black	
14	Diaphragm		Black Polyester	
15	Weight	g	3.2	

DIMENSIONS:



Transducers USA
 Confidential and Proprietary



Transducers USA
 1400 Howard Street
 Elk Grove, IL 60007
 Toll Free: 888-921-6400 FAX: 847-956-1950
www.tusainc.com info@tusainc.com

All dimensions are in MM unless otherwise specified

Drawing Number:
KDSG-23064

Mylar Speaker

Date:
 10/25/2011

THE INFORMATION DISCLOSED HEREIN WAS ORIGINATED BY AND IS THE PROPERTY OF TRANSDUCERS USA, INC. AND EXCEPT FOR USE EXPRESSLY GRANTED TO THE UNITED STATES GOVERNMENT TRANSDUCERS USA, INC. RESERVES ALL PATENT PROPRIETARY DESIGN, USE, SALE, MANUFACTURING AND PRODUCTION RIGHTS THERETO. THIS DOES NOT APPLY TO VENDOR.