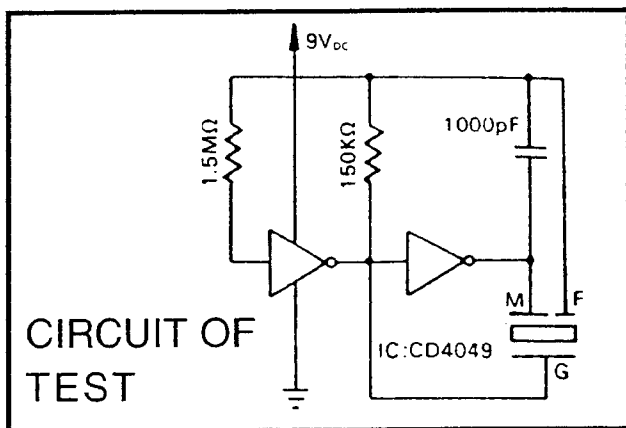


Parameter	Value	Units
Rated Voltage	9	Vp-p
Maximum Voltage	6 - 12	Vp-p
Sound Pressure Level	95 Min.* @ 30cm.	dBa
Resonant Frequency	3.4 +/- 0.5	KHz.
Current Consumption	10 Max.*	mA
Operating Temp. Range	-20 to +60	°C
Storage Temp. Range	-30 to +70	°C

* Value applying rated voltage at resonant frequency.



TRTP-4134FP		Piezo Transducer	
SCALE: Not to Scale	APPROVED BY:	DRAWN BY EDP	
DATE: 8/98		REVISED	
Transducers-USA Elk Grove Village, IL. USA			
			DRAWING NUMBER