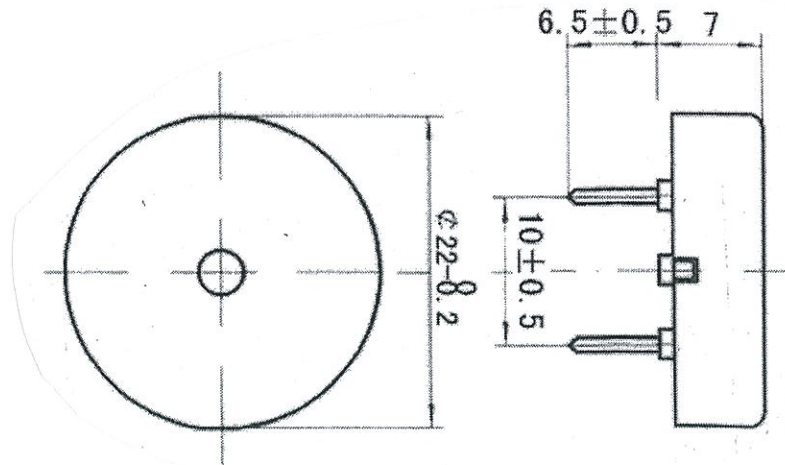


SCOPE: This specification applies to Piezo Buzzer, TRTP-2240P(G)

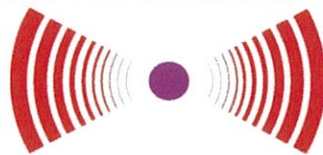
SPECIFICATIONS

No.	Item	Unit	Specification	Condition
1	Sound Pressure Level	dB	88	30 cm Value applying at rated voltage
2	Rated Voltage	Vp-p	12	
3	Max Voltage	Vp-p	30	
4	Resonant Frequency	Hz	4000 +/- 500	
5	Max Current consumption	Hz	3	Value applying at rated voltage
6	Capacitance at 1,000Hz	pF	19000 +/- 30%	
7	Case material		MPPO	
8	Operating Temp	C	-20 to + 80	
9	Storage Temperature	C	-30 ~ +105	
10	Weight Max	g	2.5	
11	Environmental		Rohs	

APPEARANCE DRAWING



Transducers USA
Confidential and Proprietary



Transducers USA
1400 Howard Street
Elk Grove, IL 60007
Toll Free: 888-921-6400 FAX: 847-956-1950
www.tusainc.com info@tusainc.com

All dimensions are in MM unless otherwise specified

Drawing Number:
TRTP-2240P(G)

Piezo Buzzer

Date:
12/24/2010

THE INFORMATION DISCLOSED HEREIN WAS ORIGINATED BY AND IS THE PROPERTY OF TRANSDUCERS USA, INC. AND EXCEPT FOR USE EXPRESSLY GRANTED TO THE UNITED STATES GOVERNMENT, TRANSDUCERS USA, INC. RESERVES ALL PATENT PROPRIETARY DESIGN, USE, SALE, MANUFACTURING AND PRODUCTION RIGHTS THERETO. THIS DOES NOT APPLY TO VENDOR