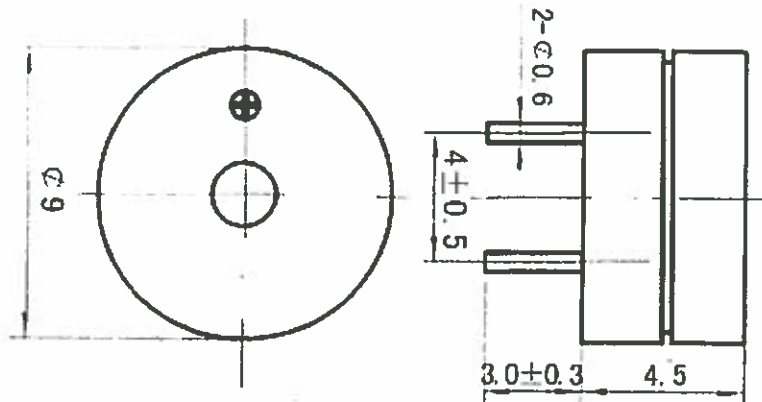


Specification applies to part number TRTP-0901P(G) and TRTP-0903P(G) Piezo Buzzer

| No. | Item | Unit | TRTP-0901P(G) | TRTP-0903P(G) |
|-----|-------------------------|------|---------------|---------------|
| 1 | Rated Voltage | VDC | 1.5 | 3 |
| 2 | Operating Voltage Range | VDC | 1~2 | 2~4 |
| 3 | Rated current (Max) | mA | < 80 | < 60 |
| 4 | Coil Resistance | Ohm | 5.5 +/- 1.0 | 15 +/- 3 |
| 5 | Sound Output (Min) | dBA | >85 at 10cm | >85 at 10cm |
| 6 | Resonance Frequency | Hz | 2731 | 2731 |
| 8 | Operating Temp | C | -20~+70 C | -20~+70 C |
| 9 | Storage Temp | C | -30~+85 C | -30~+85 C |
| 10 | Weight | gram | 1 | 1 |

Value applying rated voltage (2731Hz, 1/2 Duty, Square wave)

DIMENSIONS Unit:mm Tolerance:±0.5



Transducers USA
Confidential and Proprietary

Transducers USA
1400 Howard Street
Elk Grove, IL 60007
Toll Free: 888-921-6400 FAX: 847-956-1950
www.tusainc.com info@tusainc.com

All dimensions are in MM unless otherwise specified

Drawing Number:
TRTP-09XXP(G)

Title:
Piezo Buzzer

Date:
3/18/2010

THE INFORMATION DISCLOSED HEREIN WAS ORIGINATED BY AND IS THE PROPERTY OF TRANSDUCERS USA, INC. AND EXCEPT FOR USE EXPRESSLY GRANTED TO THE UNITED STATES GOVERNMENT, TRANSDUCERS USA, INC. RESERVES ALL PATENT PROPRIETARY DESIGN, USE, SALE, MANUFACTURING AND PRODUCTION RIGHTS THERETO. THIS DOES NOT APPLY TO VENDOR