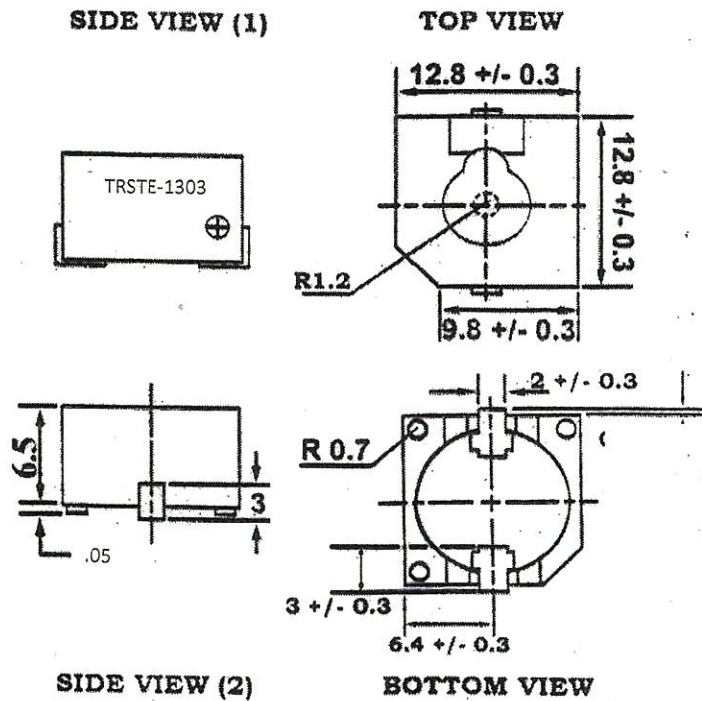


A. SCOPE: This specification applies SMT E/M Buzzer TRSTE-1303

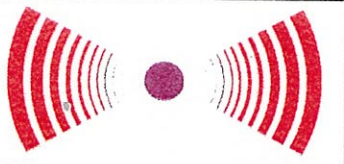
B. SPECIFICATION

No.	Item	Unit	Specification	Condition
1	Rated Voltage	Vp-p	3	Standard State Standard Drive circuit Square wave 1/2 duty
2	Operating Voltage Range	Vp-p	2 ~ 5	
3	Consumption Current	mA MAX	Mean: 80 Peak: 240	
4	Sound Pressure Level	dBA	80 Min	10 cm @ rated Voltage
5	Direct Current resistance	Ohm	16 +/- 4	
6	Rated Frequency	Hz	2400	
7	Operating Temp	C	-22 ~ +70	
8	Storage Temp	C	-30 ~ +80	
9	Weight	g	2.5 +/- 0.7	

C. APPEARANCE DRAWING



Transducers USA
Confidential and Proprietary



Transducers USA
1400 Howard Street
Elk Grove, IL 60007
Toll Free: 888-921-6400 FAX: 847-956-1950
www.tusainc.com info@tusainc.com

All dimensions are in MM unless otherwise specified

Drawing Number:
TRSTE-1303

SMT E/M Buzzer

Date:
2/11/2013

THE INFORMATION DISCLOSED HEREIN WAS ORIGINATED BY AND IS THE PROPERTY OF TRANSDUCERS USA, INC. AND EXCEPT FOR USE EXPRESSLY GRANTED TO THE UNITED STATES GOVERNMENT, TRANSDUCERS USA, INC. RESERVES ALL PATENT PROPRIETARY DESIGN, USE, SALE, MANUFACTURING AND PRODUCTION RIGHTS THERETO. THIS DOES NOT APPLY TO VENDOR