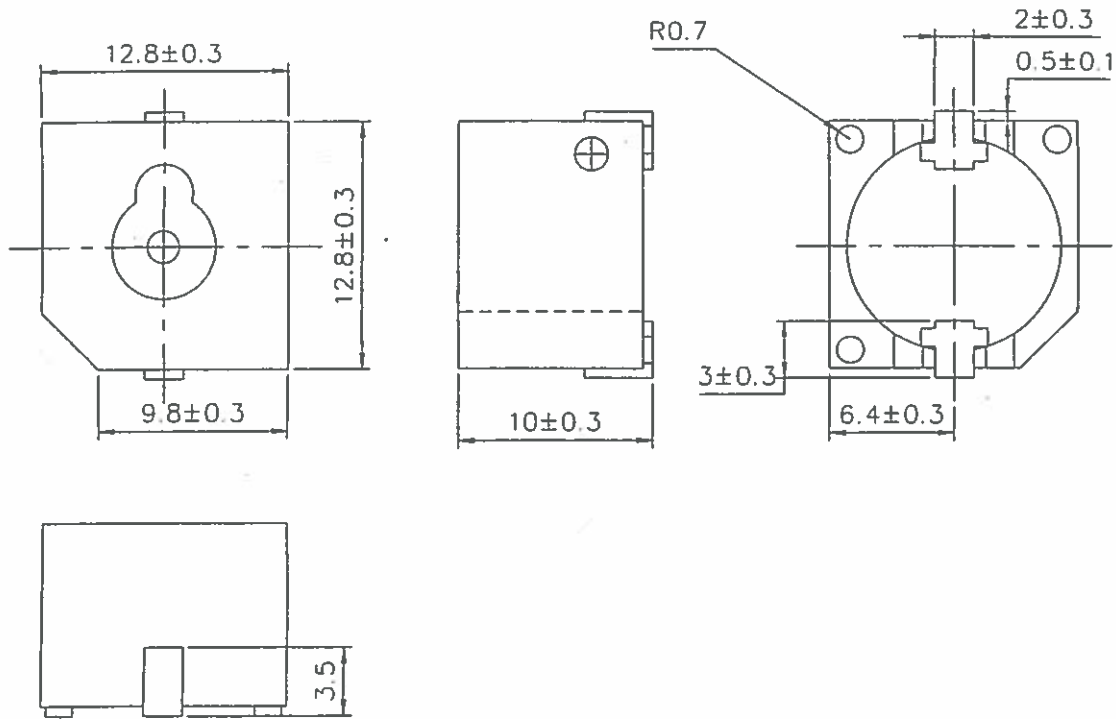


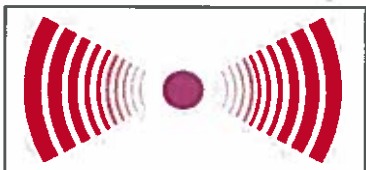
**SCOPE:** This specification applies to SMT E/M buzzer TRSIE-1205  
**SPECIFICATIONS:**

No.	Item	Unit	Specification	Condition
1	Rated voltage	VDC	5	
2	Operating Voltage	VDC	4 ~ 7	
3	Max rated current	mA	<30	At rated voltage
4	Sound Pressure Level	dB(A)	90 Min	At rated voltage, 10cm
5	Resonant frequency	Hz	2400 +/- 300	
6	Tone		Continuous	
7	Operating Temperature	C	-20 ~ +70	
8	Storage Temperature	C	-30 ~ +80	
9	Environmental		RoHS	

**DIMENSIONS:**



**Transducers USA**  
**Confidential and Proprietary**



**Transducers USA**  
 1400 Howard Street  
 Elk Grove, IL 60007  
 Toll Free: 888-921-6400 FAX: 847-956-1950  
[www.tusainc.com](http://www.tusainc.com) info@tusainc.com

All dimensions are in MM unless otherwise specified

Drawing Number: <b>TRSIE-1205</b>	<b>SMT E/M Internal Buzzer</b>
Date: 01/19/2017	THE INFORMATION DISCLOSED HEREIN WAS ORIGINATED BY AND IS THE PROPERTY OF TRANSDUCERS USA, INC. AND EXCEPT FOR USE EXPRESSLY GRANTED TO THE UNITED STATES GOVERNMENT TRANSDUCERS USA, INC. RESERVES ALL PATENT PROPRIETARY DESIGN, USE, SALE, MANUFACTURING AND PRODUCTION RIGHTS THERETO. THIS DOES NOT APPLY TO VENDOR