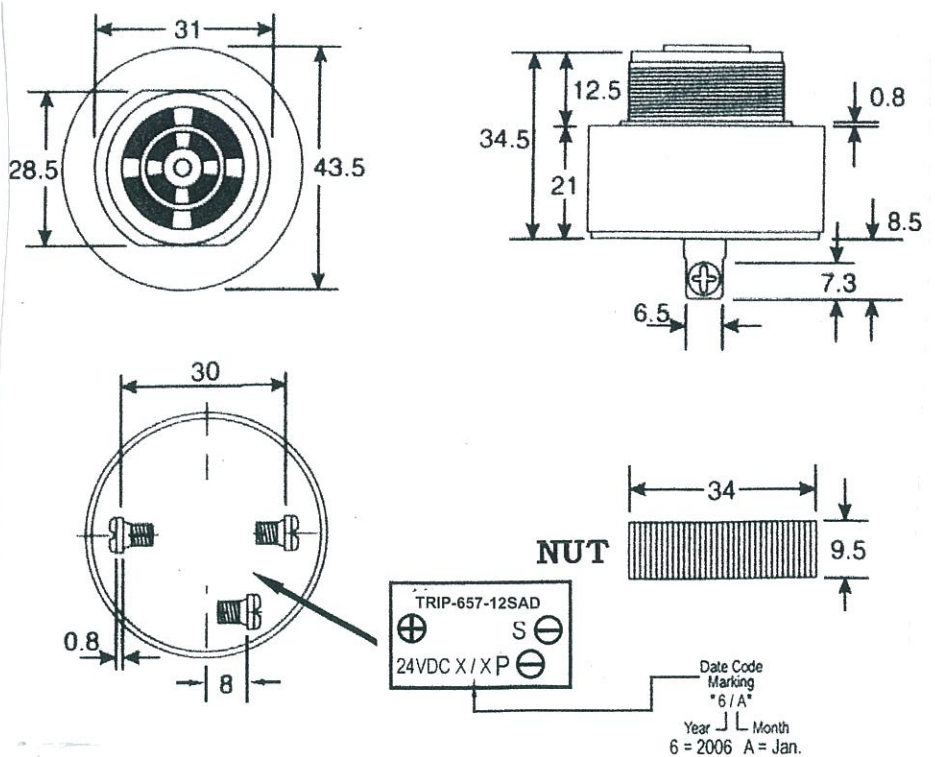


SCOPE: This specification applies to Piezo Buzzer, **TRIP-657-12SAD**

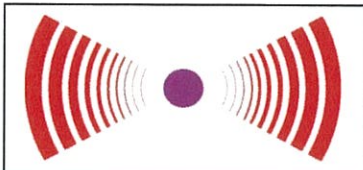
SPECIFICATIONS

No.	Item	Unit	Specification	Condition
1	Operating Voltage	VDC	4.0 ~ 16.0	
2	Rated Voltage	VDC	12	
3	Max Rated Current	mA	25.0 / 20.0	Value applying at rated voltage
4	Sound Pressure Level	dB	95 / 90	at 30cm Rated Voltage 12VDC
5	Resonant Frequency	Hz	2900 +/- 500	Value applying at rated voltage
6	Tone		Dual Continuous / Slow	
7	Operating Temp	C	-20 to + 60	
8	Housing		ABS	
9	Terminal		Screw type	
10	Weight Max	g	35	

APPEARANCE DRAWING



Transducers USA
Confidential and Proprietary



Transducers USA
1400 Howard Street
Elk Grove, IL 60007
Toll Free: 888-921-6400 FAX: 847-956-1950
www.tusainc.com info@tusainc.com

All dimensions are in MM unless otherwise specified

Drawing Number:
TRIP-657-12SAD

Piezo Buzzer

Date:
10./01/2014

THE INFORMATION DISCLOSED HEREIN WAS ORIGINATED BY AND IS THE PROPERTY OF TRANSDUCERS USA, INC. AND EXCEPT FOR USE EXPRESSLY GRANTED TO THE UNITED STATES GOVERNMENT, TRANSDUCERS USA, INC. RESERVES ALL PATENT PROPRIETARY DESIGN, USE, SALE, MANUFACTURING AND PRODUCTION RIGHTS THERETO. THIS DOES NOT APPLY TO VENDOR