

SCOPE: This specification applies 33VDC Panel Mount Piezo Transducer **TRIP-650-33SAD**

SPECIFICATIONS:

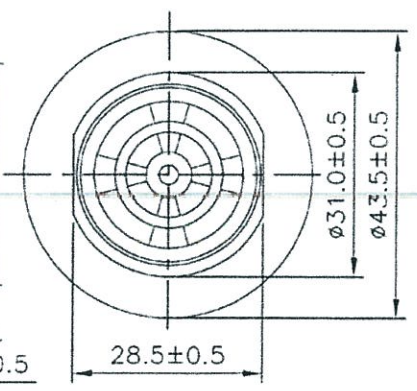
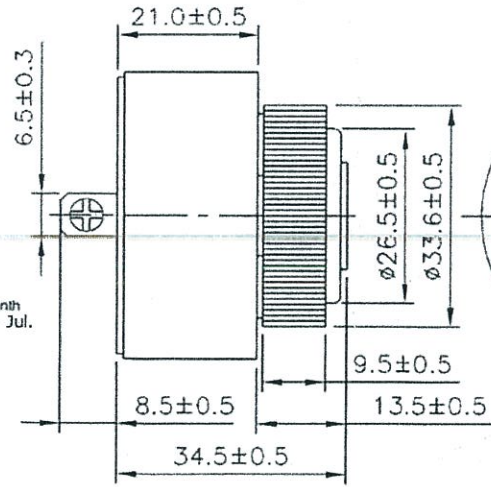
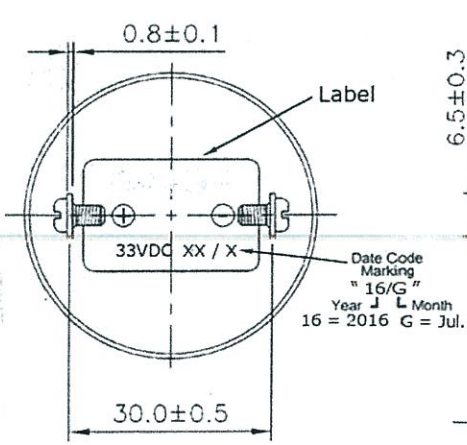
No.	Item	Unit	Specification	Condition
1	Operating Voltage	VDC	33	
2	Operating voltage range	VDC	4.0 ~ 40	
3	Max rated current	mA	Max 35	
4	Sound Pressure Level	dBA	Min 95	30cm at rated voltage
5	Frequency	Hz	2900 +/- 500	
6	Tone		Continuous	
7	Operating Temperature	C	-20 ~ +60	
8	Storage Temperature	C	-30 ~ +70	
9	Terminal		Screw / Tab	Plated
10	Material		ABS	
11	Weight	g	35	
12	Environmental		RoHS	

DIMENSIONS:

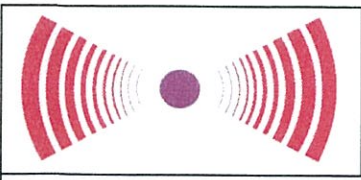
BOTTOM VIEW

SIDE VIEW

TOP VIEW



Transducers USA
Confidential and Proprietary



Transducers USA
1400 Howard Street
Elk Grove, IL 60007
Toll Free: 888-921-6400 FAX: 847-956-1950
www.tusainc.com info@tusainc.com

All dimensions are in MM unless otherwise specified

Drawing Number:
TRIP-650-33SAD

**33VDC Panel Mount
Piezo Transducer**

Date:
07/10/2016

THE INFORMATION DISCLOSED HEREIN WAS ORIGINATED BY AND IS THE PROPERTY OF TRANSDUCERS USA, INC. AND EXCEPT FOR USE EXPRESSLY GRANTED TO THE UNITED STATES GOVERNMENT, TRANSDUCERS USA, INC. RESERVES ALL PATENT PROPRIETARY DESIGN, USE, SALE, MANUFACTURING AND PRODUCTION RIGHTS THERETO. THIS DOES NOT APPLY TO VENDOR