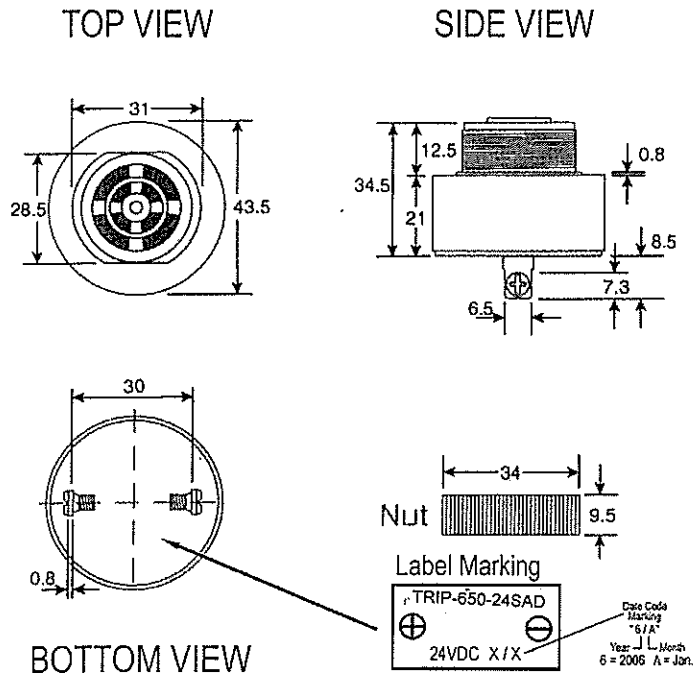


SCOPE. This specification applies to Piezo Element **TRIP-650-24SAD**

SPECIFICATIONS.

No.	Item	Unit	Specification
1	Operating Voltage	VDC	1.0 ~ 28.0
2	Rated Voltage	VDC	24
3	Current Consumption @24 VDC	mA	MAX 15.0
4	Sound Pressure	dB	Min 95 @ 30cm
5	Resonant Frequency	Hz	2900 +/- 500
6	Tone		Continuous
7	Operating Temperature	C	-20 to +60
8	Storage Temperature	C	-30 to + 70
9	Terminal		Plate
10	Material		ABS
11	Environmental		RoHS
12	Weight	g	35

DIMENSIONS.



Transducers USA
Confidential and Proprietary

Transducers USA
1400 Howard Street
Elk Grove, IL 60007
Toll Free: 888-921-6400 FAX: 847-956-1950
www.tusainc.com info@tusainc.com

All dimensions are in MM unless otherwise specified

Drawing Number: TRIP-650-24SAD	Piezo Audio Indicator
--	------------------------------

Date: 02/27/2014	THE INFORMATION DISCLOSED HEREIN WAS ORIGINATED BY AND IS THE PROPERTY OF TRANSDUCERS USA, INC. AND EXCEPT FOR USE EXPRESSLY GRANTED TO THE UNITED STATES GOVERNMENT, TRANSDUCERS USA, INC. RESERVES ALL PATENT PROPRIETARY DESIGN, USE, SALE, MANUFACTURING AND PRODUCTION RIGHTS THERETO. THIS DOES NOT APPLY TO VENDOR
-------------------------	---