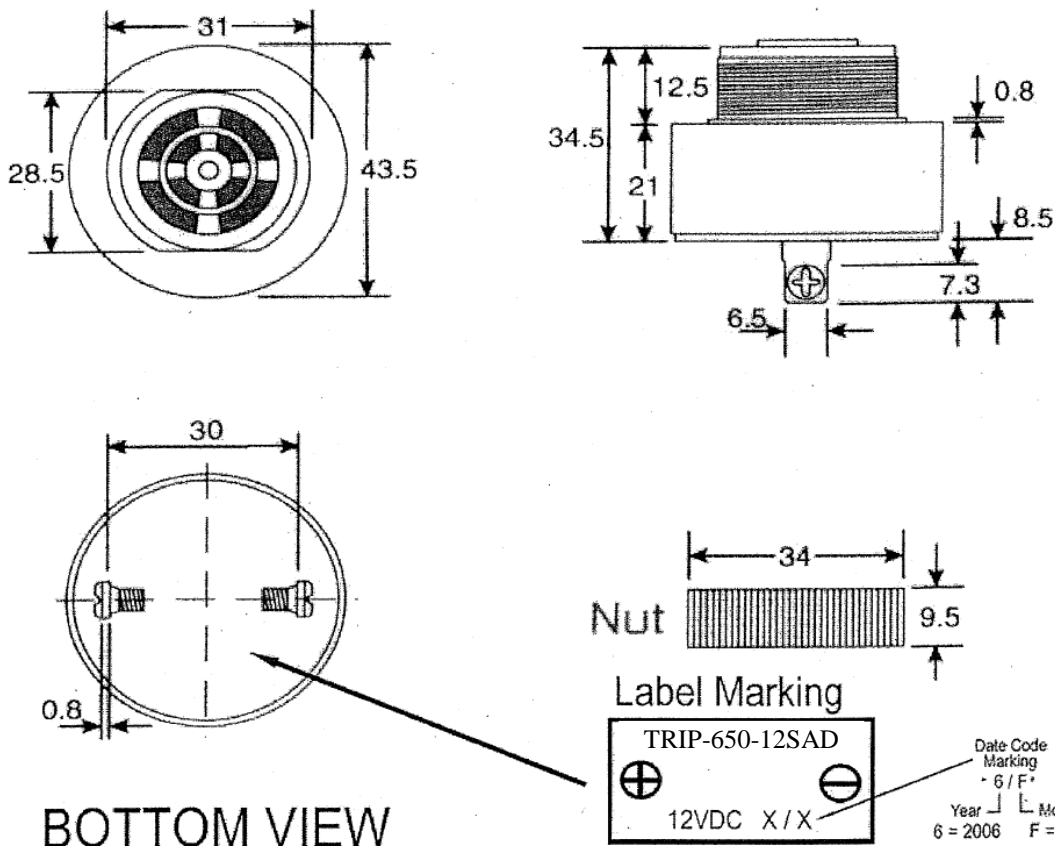


SCOPE: This specification applies to TRIP-650-12SAD

SPECIFICATIONS:

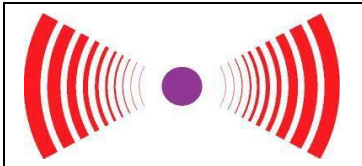
No.	Item	Unit	Specification	Condition
1	Frequency	Hz	2900 +/- 500	
2	Operating Voltage Range	VDC	1.0 ~ 16	
3	Rated Voltage	VDC	12	
4	Max Rated Current	mA	30	
5	Sound Pressure Level	dB	104	10 cm @ Rated Voltage
6	Tone		Continuous	
7	Operating Temp	C	-20 ~ +60	
8	Housing Material		ABS	
9	Terminal		Screw	
10	Weight	g	35	

Dimensions:



BOTTOM VIEW

Transducers USA
Confidential and Proprietary



Transducers USA
1400 Howard Street
Elk Grove, IL 60007
Toll Free: 888-921-6400 FAX: 847-956-1950
www.tusainc.com info@tusainc.com

All dimensions are in MM unless otherwise specified

Drawing Number:
TRIP-650-12SAD

**Panel Mount
Piezo Buzzer**

Date:
6/13/2017

THE INFORMATION DISCLOSED HEREIN WAS ORIGINATED BY AND IS THE PROPERTY OF TRANSDUCERS USA, INC. AND EXCEPT FOR USE EXPRESSLY GRANTED TO THE UNITED STATES GOVERNMENT TRANSDUCERS USA, INC. RESERVES ALL PATENT PROPRIETARY DESIGN, USE, SALE, MANUFACTURING AND PRODUCTION RIGHTS THERETO. THIS DOES NOT APPLY TO VENDOR