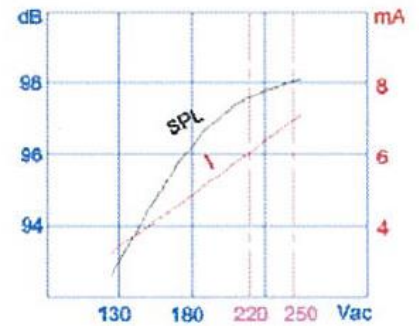


SCOPE: This specification applies to TRIP-621SCS

Picture



Characteristics



Specification

Operating Mode
 Nominal Operating Voltage
 Operating Voltage
 Operating Frequency
 Sound Output
 Operating Current
 Operating Temperature
 Storage Temperature

Medium Loud, Intermittent Tone
 220Vac
 130 to 250Vac
 3,000+/-500Hz
 94dB min. at 220Vac 30cm 25°C
 8mA max. at 220Vac
 -20°C to +60°C
 -30°C to +70°C

Termination

Description

Two, 0.25 (6.4mm) Quick Connect Blades, 0.032 ϕ (0.8 ϕ mm) Wide, Brass, Electro-Tin Plated With M3 0.25" (6.4mm) long Stainless Steel Screws.

Construction Materials

Termination Strength

Maximum of 15 pounds (6.8 Kg) load pull test for 10 seconds

Case

Plastic, PC

Diaphragm

Stainless Steel Disc 304

Weight (Typical)

42 g

Reliability

*Life Test

At rated voltage in room temperature, 1 cycle = 1 min. ON 4 min. OFF, continuously for 1000 hours

*High Temperature

No function at +70+/-2°C for 240 hours; Function at +60+/-2°C for 240 hours

*Low Temperature

No function at -30+/-2°C for 240 hours; Function at -20+/-2°C for 240 hours

*Humidity

+60 +/-2°C, 90-95%RH, 120 hours

*Thermal Cycle

-30+/-2°C 1 hr \rightarrow +20 +/-2°C 5 min. \rightarrow +70+/-2°C 1 hr \rightarrow +20+/-2°C 5 min. 5 cycles

*Vibration

1.5mm with 10 to 50Hz of vibration frequency to each of 3 perpendicular directions for 2 hours

*Shock

980m/s² (=100g) shock for each mutually perpendicular directions, half sine wave, 3 times each

*Drop Test

Dropped naturally from 700mm height onto the surface of 10mm wooden board. 2 directions – upper and side of the part are applied

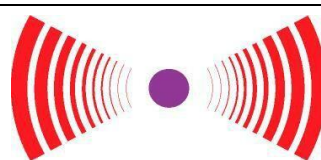
For a period of one (1) year from date of manufacture under normal operations

Warranty

* All specifications must be satisfied after the test (Recovery: 2 to 4 hrs of recovery under the standard condition after the removal from test chamber).

**90% min. soldering pads shall be with solder.(except the edge of pad)

Transducers USA
 Confidential and Proprietary



Transducers USA
 1400 Howard Street
 Elk Grove, IL 60007
 Toll Free: 888-921-6400 FAX: 847-956-1950
www.tusainc.com info@tusainc.com

All dimensions are in MM unless otherwise specified

Drawing Number:

TRIP-621SCS

**PANEL MOUNT PIEZO
 FAST PULSE BUZZER
 PAGE 1 OF 2**

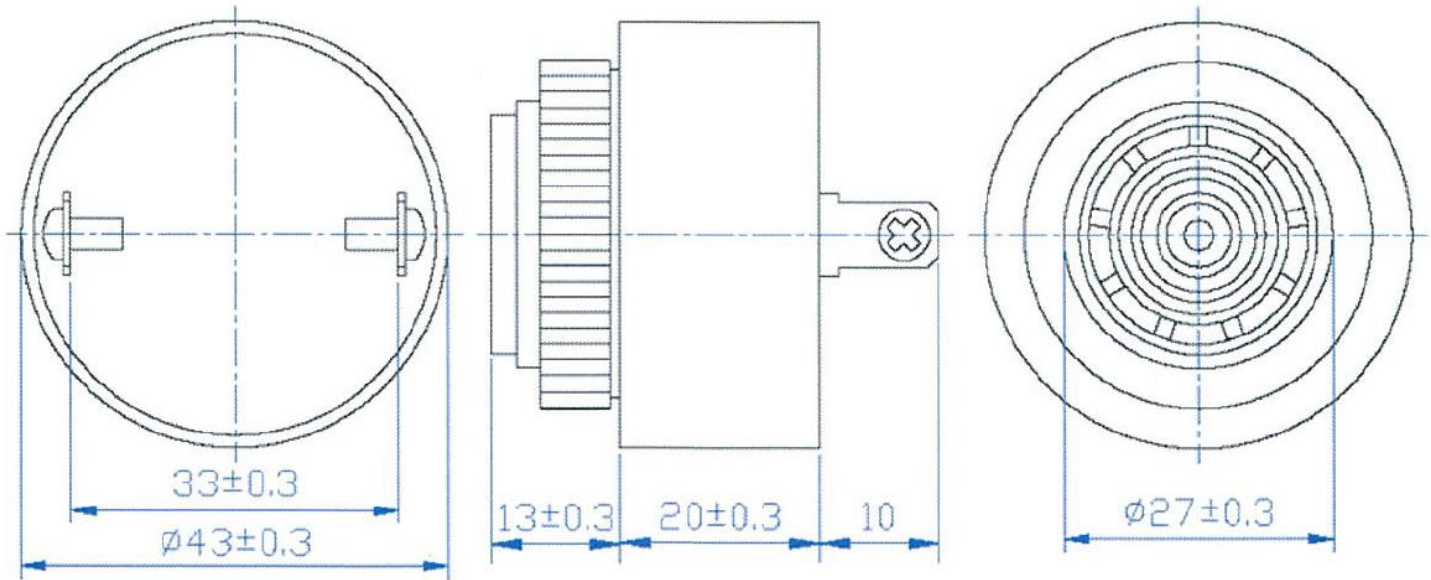
Date:

11/14/2017

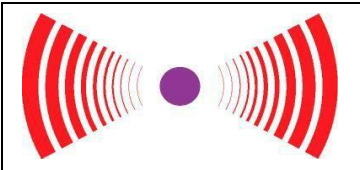
THE INFORMATION DISCLOSED HEREIN WAS ORIGINATED BY AND IS THE PROPERTY OF TRANSDUCERS USA, INC. AND EXCEPT FOR USE EXPRESSLY GRANTED TO THE UNITED STATES GOVERNMENT TRANSDUCERS USA, INC. RESERVES ALL PATENT PROPRIETARY DESIGN, USE, SALE, MANUFACTURING AND PRODUCTION RIGHTS THERETO. THIS DOES NOT APPLY TO VENDOR

SCOPE: This specification applies to TRIP-621SCS

Dimensions (Unit: mm)



Transducers USA
Confidential and Proprietary



Transducers USA
1400 Howard Street
Elk Grove, IL 60007
Toll Free: 888-921-6400 FAX: 847-956-1950
www.tusainc.com info@tusainc.com

All dimensions are in MM unless otherwise specified

Drawing Number:

TRIP-621SCS

**PANEL MOUNT PIEZO
FAST PULSE BUZZER
PAGE 2 OF 2**

Date:

11/14/2017

THE INFORMATION DISCLOSED HEREIN WAS ORIGINATED BY AND IS THE PROPERTY OF TRANSDUCERS USA, INC. AND EXCEPT FOR USE EXPRESSLY GRANTED TO THE UNITED STATES GOVERNMENT TRANSDUCERS USA, INC. RESERVES ALL PATENT PROPRIETARY DESIGN, USE, SALE, MANUFACTURING AND PRODUCTION RIGHTS THERETO. THIS DOES NOT APPLY TO VENDOR