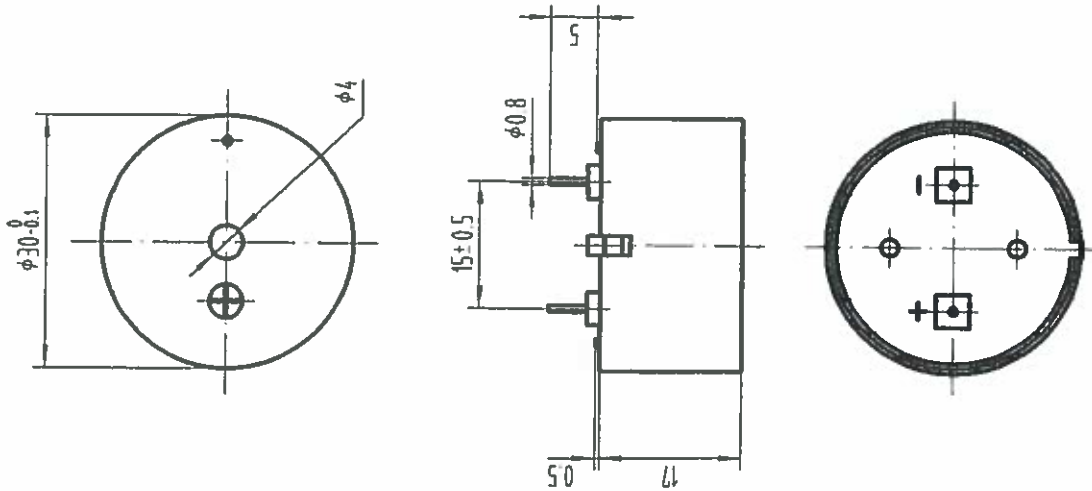


**SCOPE:** This specification applies to Piezo buzzer TRIP-3020P

**SPECIFICATIONS:**

No.	Item	Unit	Specification	Condition
1	Rated voltage	VDC	12	
2	Operating Voltage	VDC	3 ~ 24	
3	Max rated current	mA	<30	At rated voltage
4	Sound Pressure Level	dBA	90 Min	At rated voltage, 30cm
5	Resonant frequency	Hz	2000 +/- 500	
6	Tone		Continuous	
7	Operating Temperature	C	-20 ~ +70	
8	Storage Temperature	C	-30 ~ +80	
9	Environmental		RoHS	

**DIMENSIONS:**



Transducers USA  
Confidential and Proprietary



Transducers USA  
1400 Howard Street  
Elk Grove, IL 60007  
Toll Free: 888-921-6400 FAX: 847-956-1950  
[www.tusainc.com](http://www.tusainc.com) info@tusainc.com

All dimensions are in MM unless otherwise specified

Drawing Number:

TRIP-3020P

**Piezo Internal Buzzer**

Date:

07/29/1998

THE INFORMATION DISCLOSED HEREIN WAS ORIGINATED BY AND IS THE PROPERTY OF TRANSDUCERS USA, INC. AND EXCEPT FOR USE EXPRESSLY GRANTED TO THE UNITED STATES GOVERNMENT TRANSDUCERS USA, INC. RESERVES ALL PATENT PROPRIETARY DESIGN, USE, SALE, MANUFACTURING AND PRODUCTION RIGHTS THERETO. THIS DOES NOT APPLY TO VENDOR