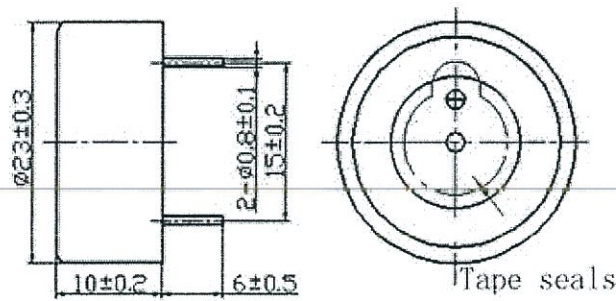


SCOPE: This specification applies to Piezo Audio Transducer **TRIP-2332PS(G)**

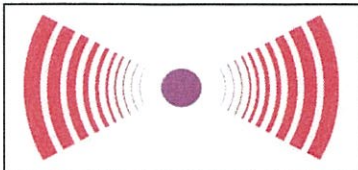
SPECIFICATION:

No.	Item	Unit	Standard	Conditions
1	Min Sound Output	dB	85	10cm @ Rated voltage
2	Rated voltage	VDC	12	
3	Operating Voltage	VDC	3 ~ 24	
4	Resonant frequency	Hz	3500 +/- 500	
5	Max current consumption	mA	12	Applying rated voltage
6	Tone		Continuous	
7	Material		PPO	
8	Operating temperature	C	-20 ~ +75	
9	Storage temperature	C	-30 ~ +85	
10	Weight	g	6	

DIMENSIONS:



Transducers USA
Confidential and Proprietary



Transducers USA
1400 Howard Street
Elk Grove, IL 60007
Toll Free: 888-921-6400 FAX: 847-956-1950
www.tusainc.com info@tusainc.com

All dimensions are in MM unless otherwise specified

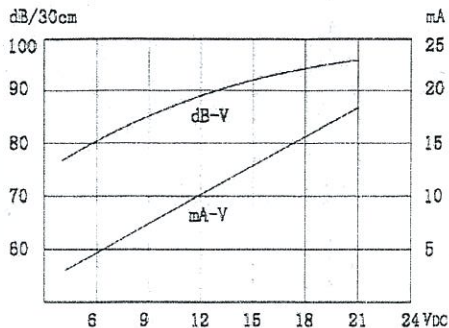
Drawing Number:
TRIP-2332PS(G)

Piezo Audio Transducer
1 of 2

Date:
6/21/2009

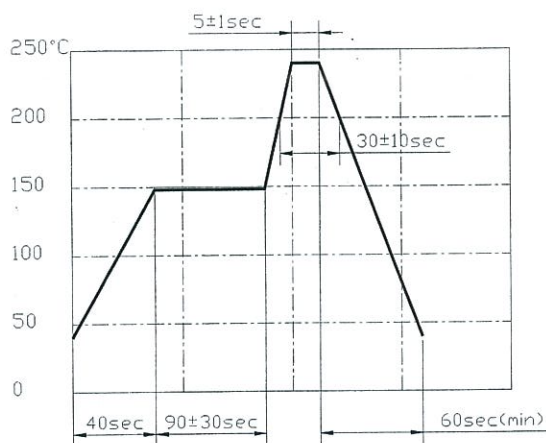
THE INFORMATION DISCLOSED HEREIN WAS ORIGINATED BY AND IS THE PROPERTY OF TRANSDUCERS USA, INC. AND EXCEPT FOR USE EXPRESSLY GRANTED TO THE UNITED STATES GOVERNMENT TRANSDUCERS USA, INC. RESERVES ALL PATENT PROPRIETARY DESIGN, USE, SALE, MANUFACTURING AND PRODUCTION RIGHTS THERETO. THIS DOES NOT APPLY TO VENDOR

SOUND CURVE:



SOLDER CONDITIONS:

1. RECOMMENDED TEMPERATURE CURVE FOR REFLOW PROCESS (2 CYCLES)



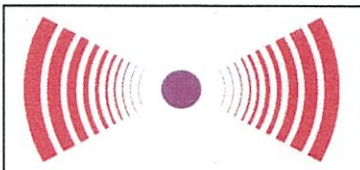
(NOTE : WHEN APPLY 2nd CYCLE OF IR REFLOW PROCESS, THE TRANSDUCER SHOULD BE EXPOSED IN THE ROOM TEMPERATURE AFTER 1st CYCLE OF IR REFLOW PROCESS.)

THE TRANSDUCER WILL SATISFY THE ADDITIONAL WARRANTY CONDITIONS AS ABOVE, EVEN AFTER 2 CYCLES OF REFLOW PROCESS.

2. HAND SOLDER

- 2-1. IRON TIP TEMP : 360°C
- 2-2. DURATION : 3 sec. max.

Transducers USA
Confidential and Proprietary



Transducers USA
1400 Howard Street
Elk Grove, IL 60007
Toll Free: 888-921-6400 FAX: 847-956-1950
www.tusainc.com info@tusainc.com

All dimensions are in MM unless otherwise specified

Drawing Number:
TRIP-2332PS(G)

Piezo Audio Transducer
2 of 2

Date:
6/21/2009

THE INFORMATION DISCLOSED HEREIN WAS ORIGINATED BY AND IS THE PROPERTY OF TRANSDUCERS USA, INC. AND EXCEPT FOR USE EXPRESSLY GRANTED TO THE UNITED STATES GOVERNMENT TRANSDUCERS USA, INC. RESERVES ALL PATENT PROPRIETARY DESIGN, USE, SALE, MANUFACTURING AND PRODUCTION RIGHTS THERETO. THIS DOES NOT APPLY TO VENDOR