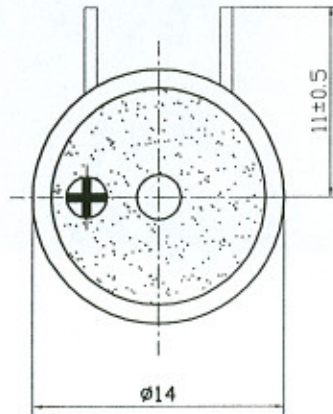
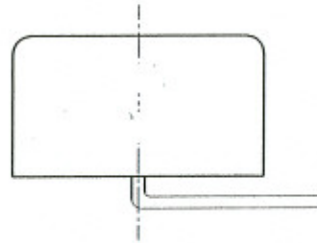
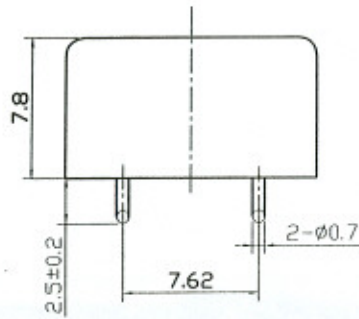
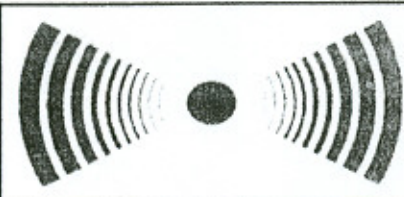


SPECIFICATION



- | | |
|-----------------------------------|--------------------|
| 1. Rated Voltage | 12VDC |
| 2. Operating Voltage | 1.5~16VDC |
| 3. Max. Rated Current | 8mA at 12VDC |
| 4. Resonant Frequency | 4.0±0.5KHz |
| 5. Min. Sound Pressure Level..... | 85dB at 12VDC/10cm |
| 6. Tone Nature | Continuous |
| 7. Case Material | PC |
| 8. Operating Temperature | -20~+70°C |
| 9. Store Temperature | -30~+80°C |
| 10. Weight | 2g |



Transducers USA
 1400 Howard Street
 Elk Grove Village, IL 60007
 Toll Free: 800 956-1920 Fax: 847 956-1950
www.tusainc.com Info@tusainc.com

All dimensions are in MM unless otherwise specified

Drawing Number:
TRIP-1412SR

Title:
**PIEZO AUDIO INDICATOR-
 RIGHT ANGLE TERMINALS**

Date: 6/1/06

THE INFORMATION DISCLOSED HEREIN WAS ORIGINATED BY AND IS THE PROPERTY OF TRANSDUCERS USA, INC. AND EXCEPT FOR USES EXPRESSLY GRANTED TO THE UNITED STATES GOVERNMENT, TRANSDUCERS USA, INC. RESERVES ALL PATENT PROPRIETARY DESIGN, USE, SALE, MANUFACTURING AND REPRODUCTION RIGHTS THERETO. THIS DOES NOT APPLY TO VENDOR