

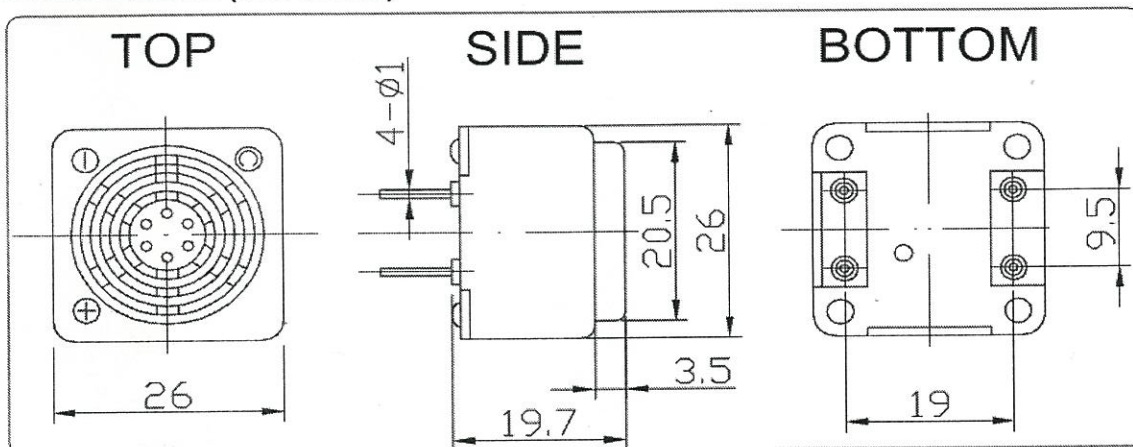
**SCOPE:** This specification applies E/M Buzzer **TRIE-2624P4H**

**1. SPECIFICATIONS**

PARAMETERS	VALUES	UNITS
*MIN SOUND PRESSURE LEVEL AT 10 CM	95	dB
RATED VOLTAGE	24	Vdc
OPERATING VOLTAGE	20 - 28	Vdc
RESONANCE FREQUENCY	400 ± 100	Hz
*MAX OPERATING CURRENT	35	mA
tone	SINGLE	-
OPERATING TEMPERATURE	-20 to +70	°C
STORAGE TEMPERATURE	-20 to +75	°C
HOUSING	ABS	-
WEIGHT	17	g

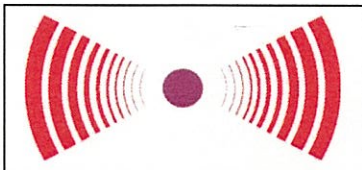
\*Value applying rated voltage

**2. DIMENSIONS (unit in mm)**



Tolerance: ±0.5mm except specified

**Transducers USA**  
Confidential and Proprietary



**Transducers USA**  
1400 Howard Street  
Elk Grove, IL 60007  
Toll Free: 888-921-6400 FAX: 847-956-1950  
[www.tusainc.com](http://www.tusainc.com) info@tusainc.com

All dimensions are in MM unless otherwise specified

Drawing Number:  
**TRIE-2624P4H**

**24V E/M Buzzer**

Date:  
2/27/2008

THE INFORMATION DISCLOSED HEREIN WAS ORIGINATED BY AND IS THE PROPERTY OF TRANSDUCERS USA, INC. AND EXCEPT FOR USE EXPRESSLY GRANTED TO THE UNITED STATES GOVERNMENT, TRANSDUCERS USA, INC. RESERVES ALL PATENT PROPRIETARY DESIGN, USE, SALE, MANUFACTURING AND PRODUCTION RIGHTS THERETO. THIS DOES NOT APPLY TO VENDOR