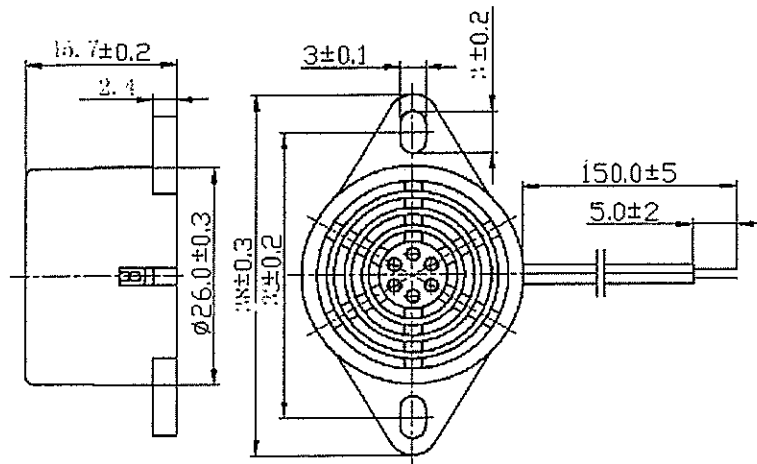


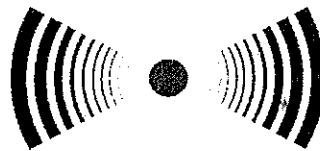
Type	TRIE-2606L	TRIE-2612L	TRIE-2624L
Rated Voltage (V)	6	12	24
Operating Voltage (V)	4.5~7.5	9~15	20~28
Rated Current (MA)	< 30		
Sound Output at 10cm (dB)	> 85	> 85	> 85
Resonant Frequency (Hz)	400 ±100		
Tone Nature	Continuous		
Operating Temperature (C)	25~+70		
Storage Temperature (C)	-30~+80		
Weight (g)	8.5		

Value applying rated voltage (DC)

Value applying(Min. operational DC voltage)



Transducers USA
Confidential &
Proprietary



Transducers USA
1400 Howard Street
Elk Grove, IL 60007
Toll Free: 800-956-1920 FAX: 847-956-1950
www.tusainc.com info@tusainc.com

All dimensions are in MM unless otherwise specified

Drawing Number:
TRIE-2624L

Title:
Audio Indicator

Date:
12/24/2010

THE INFORMATION DISCLOSED HEREIN WAS ORIGINATED BY AND IS THE PROPERTY OF TRANSDUCERS USA, INC. AND EXCEPT FOR USE EXPRESSLY GRANTED TO THE UNITED STATES GOVERNMENT, TRANSDUCERS USA, INC. RESERVES ALL PATENT PROPRIETARY DESIGN, USE, SALE, MANUFACTURING AND PRODUCTION RIGHTS THERETO. THIS DOES NOT APPLY TO VENDOR