

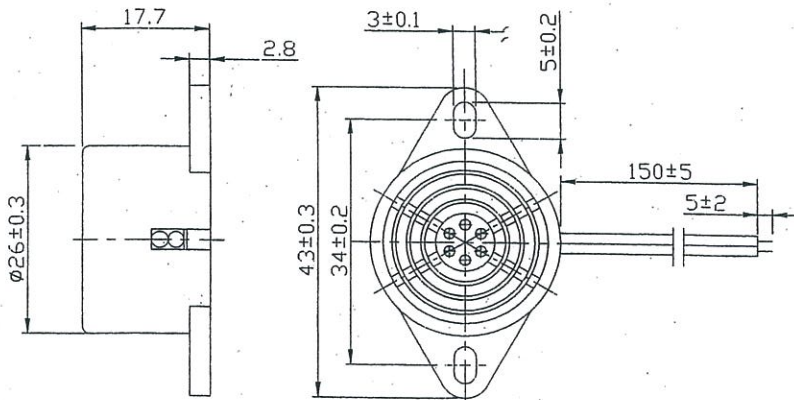
## A. SCOPE

This specification applies to magnetic buzzer. **TRIE-2612L(G)**

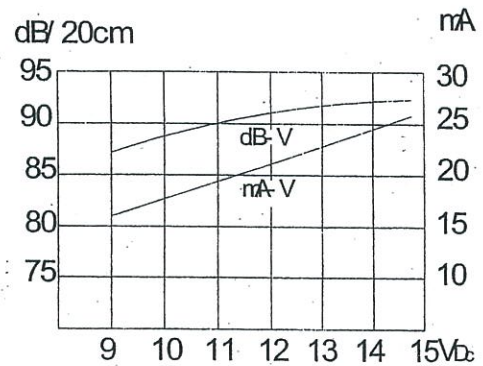
## B. SPECIFICATIONS

| No. | Item                                | Unit | Specification     |
|-----|-------------------------------------|------|-------------------|
| 1   | Rated Voltage                       | VDC  | 12                |
| 2   | Operating Voltage                   | VDC  | 9 ~ 15            |
| 3   | Max Current Consumption             | mA   | 30 @rated Voltage |
| 4   | Sound Pressure Level                | dB   | MIN 85 @ 20cm     |
| 5   | Resonant Frequency                  | Hz   | 400 +/- 100       |
| 6   | Operating Temp                      | C    | -20 ~ +60 C       |
| 7   | Storage Temp                        | C    | -40 ~ +80 C       |
| 8   | Response Time                       | ms   | <= 50             |
| 9   | Weight Max                          | g    | 12                |
| 10  | Case Material                       |      | White ABS         |
| 11  | Tone                                |      | Continuous        |
| 12  | Environmental Protection Regulation |      | RoHS              |
| 13  | Wire Connection                     | +    | Red               |
|     |                                     | -    | Black             |

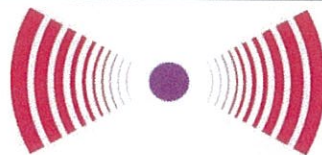
## C. DIMENSIONS



## D. CHARACTERISTICS



Transducers USA  
Confidential and Proprietary



**Transducers USA**  
1400 Howard Street  
Elk Grove, IL 60007  
Toll Free: 888-921-6400 FAX: 847-956-1950  
[www.tusainc.com](http://www.tusainc.com) info@tusainc.com

All dimensions are in MM unless otherwise specified

Drawing Number:  
**TRIE-2612L(G)**

Title:  
**Magnetic Buzzer**

Date:  
**12/09/2008**

THE INFORMATION DISCLOSED HEREIN WAS ORIGINATED BY AND IS THE PROPERTY OF TRANSDUCERS USA, INC. AND EXCEPT FOR USE EXPRESSLY GRANTED TO THE UNITED STATES GOVERNMENT, TRANSDUCERS USA, INC. RESERVES ALL PATENT PROPRIETARY DESIGN, USE, SALE, MANUFACTURING AND PRODUCTION RIGHTS THERETO. THIS DOES NOT APPLY TO VENDOR