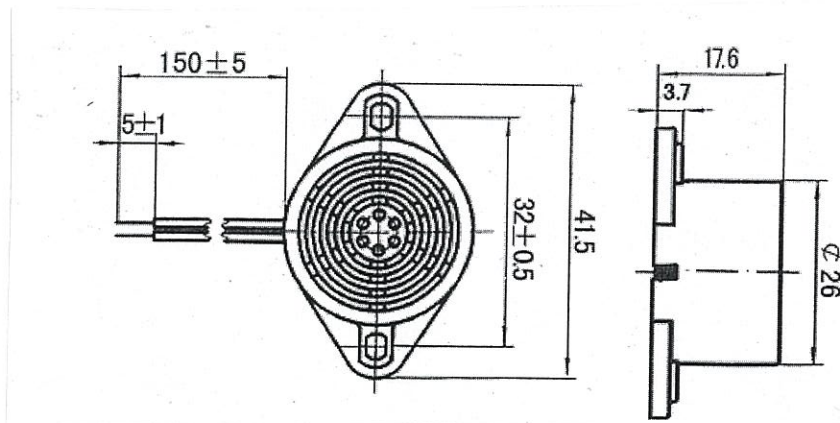


SCOPE: This specification applies to E/M Buzzer **TRIE-2606L(G)**

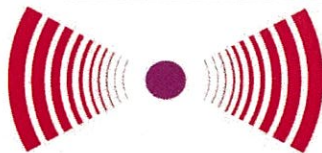
SPECIFICATIONS:

| No. | Item | Unit | Specification | Condition |
|-----|-------------------------|------|---------------|-----------------------|
| 1 | Rated Voltage | VDC | 6 | |
| 2 | Operating Voltage Range | VDC | 4.5 ~ 7.5 | |
| 3 | Rated Current | mA | Max 30 | |
| 4 | Sound Pressure Level | dB | 85 Min | 10 cm @ rated Voltage |
| 5 | Resonant Frequency | Hz | 400 +/- 100 | |
| 6 | Tone | | Continuous | |
| 7 | Operating Temp | C | -25 ~ +70 | |
| 8 | Storage Temp | C | -30 ~ +80 | |
| 9 | Weight | | 8.5 | |

APPEARANCE DRAWING



Transducers USA
Confidential and Proprietary



Transducers USA
1400 Howard Street
Elk Grove, IL 60007
Toll Free: 888-921-6400 FAX: 847-956-1950
www.tusainc.com info@tusainc.com

All dimensions are in MM unless otherwise specified

Drawing Number:
TRIE-2606L(G)

E/M Buzzer

Date:
3/19/2006

THE INFORMATION DISCLOSED HEREIN WAS ORIGINATED BY AND IS THE PROPERTY OF TRANSDUCERS USA, INC. AND EXCEPT FOR USE EXPRESSLY GRANTED TO THE UNITED STATES GOVERNMENT, TRANSDUCERS USA, INC. RESERVES ALL PATENT PROPRIETARY DESIGN, USE, SALE, MANUFACTURING AND PRODUCTION RIGHTS THERETO. THIS DOES NOT APPLY TO VENDOR