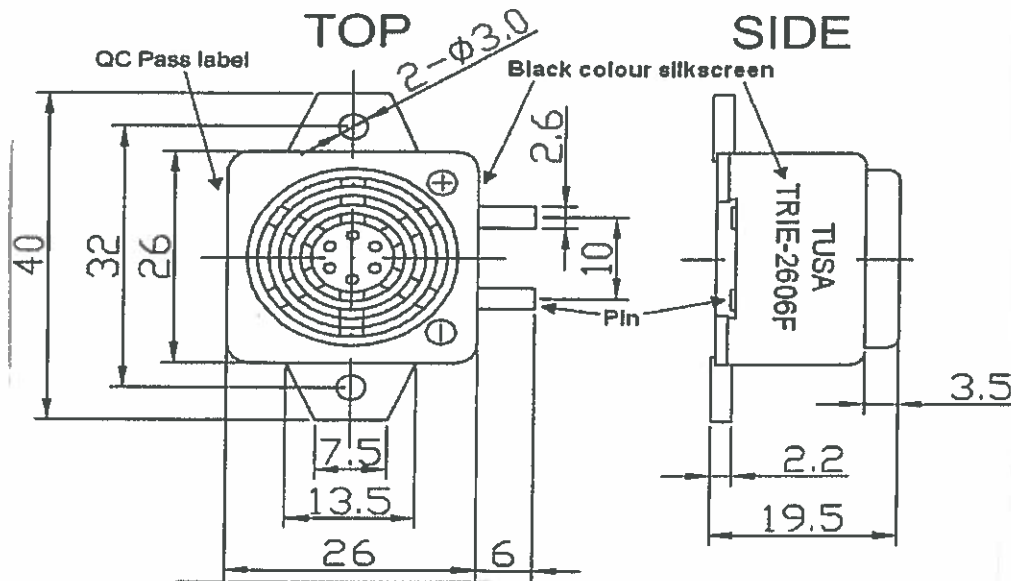


SCOPE: This specification applies to E/M buzzer TRIE-2606F

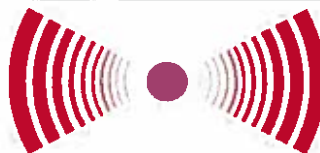
SPECIFICATIONS:

No.	Item	Unit	Specification	Condition
1	Rated voltage	VDC	6	
2	Operating Voltage	VDC	4 ~ 8	
3	Max rated current	mA	< 35	At rated voltage
4	Sound Pressure Level	dBA	95 Min	At rated voltage, 10cm
5	Operating frequency	Hz	400 +/- 100	
6	Max response time	ms	400	
7	Tone		Continuous	
8	Operating Temperature	C	-20 ~ +70	
9	Storage Temperature	C	-20 ~ +75	
10	Environmental		RoHS	
11	Weight	g	17	

DIMENSIONS:



Transducers USA
Confidential and Proprietary



Transducers USA
1400 Howard Street
Elk Grove, IL 60007
Toll Free: 888-921-6400 FAX: 847-956-1950
www.tusainc.com info@tusainc.com

All dimensions are in MM unless otherwise specified

Drawing Number:

TRIE-2606F

E/M Internal Buzzer

Date:

10/02/2009

THE INFORMATION DISCLOSED HEREIN WAS ORIGINATED BY AND IS THE PROPERTY OF TRANSDUCERS USA, INC. AND EXCEPT FOR USE EXPRESSLY GRANTED TO THE UNITED STATES GOVERNMENT TRANSDUCERS USA, INC. RESERVES ALL PATENT PROPRIETARY DESIGN, USE, SALE, MANUFACTURING AND PRODUCTION RIGHTS THERETO. THIS DOES NOT APPLY TO VENDOR