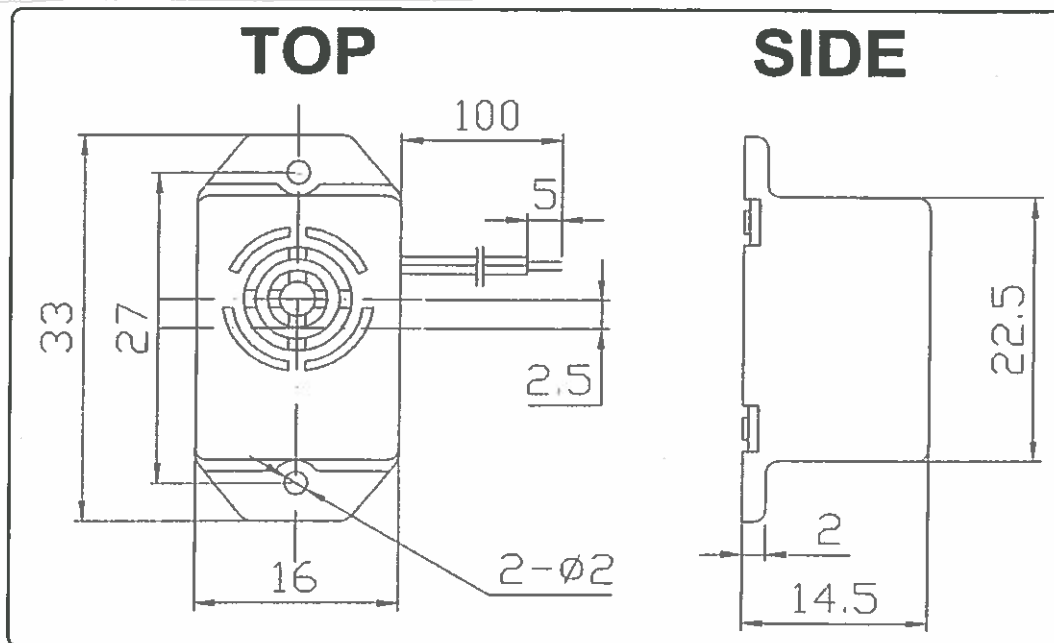


SCOPE: This specification applies to Mechanical Buzzer, TRIE-2324L(G)

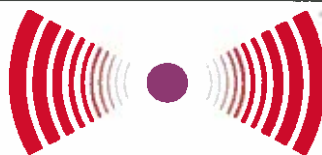
SPECIFICATIONS:

No.	Item	Unit	Specification	Condition
1	Sound Pressure Level	dB	70	at 30cm Rated Voltage 24VDC
2	Rated Voltage	VDC	24	
3	Operating Voltage	VDC	10 ~ 30	
4	Resonant Frequency	Hz	400 +/- 100	
5	Current Consumption	mA	Max 20	
6	Tone		Single	
7	Operating Temp	C	-20 to + 70	
8	Storage Temp	C	-20 to + 75	
9	Housing		ABS	
10	Weight Max	g	10	
11	Environmental		RoHS	

DIMENSIONS (mm):



Transducers USA
Confidential and Proprietary



Transducers USA
1400 Howard Street
Elk Grove, IL 60007
Toll Free: 800-956-1920 FAX: 847-956-1950
www.tusainc.com info@tusainc.com

All dimensions are in MM unless otherwise specified

Drawing Number:
TRIE-2324L(G)

Title:
Mechanical Buzzer

Date:
10/25/2005

THE INFORMATION DISCLOSED HEREIN WAS ORIGINATED BY AND IS THE PROPERTY OF TRANSDUCERS USA, INC. AND EXCEPT FOR USE EXPRESSLY GRANTED TO THE UNITED STATES GOVERNMENT, TRANSDUCERS USA, INC. RESERVES ALL PATENT PROPRIETARY DESIGN, USE, SALE, MANUFACTURING AND PRODUCTION RIGHTS THERE TO. THIS DOES NOT APPLY TO VENDOR