

SIREN LIGHT WARNING MODULE

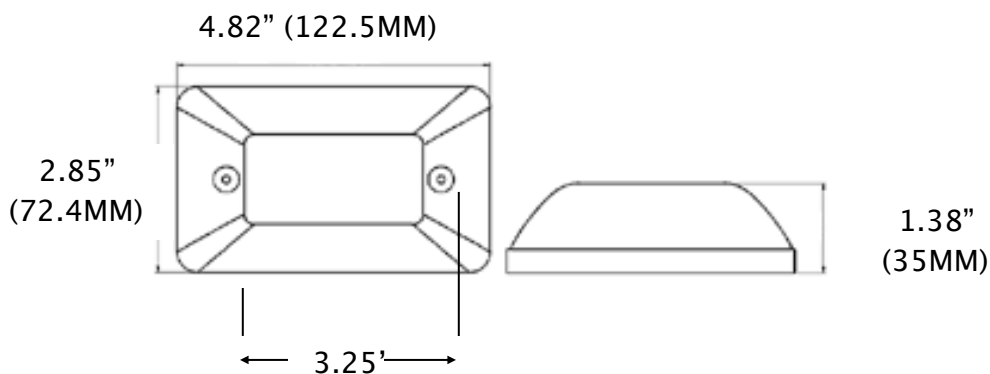
LIGHT/SIREN ANNUNCIATOR COMBINATION

Transducers USA is proud to announce a new panel mount annunciator available in two different styles. This panel mounted device gives an audio, visual or combination of both warning. Normal input voltage is 12 VDC (6-15 VDC operating). Connections are made via 2/3 12" leads. Standard lens color is red.

The device mounts with two mounting holes and has long life LED's that insure a bright reliable product over a long period of time.

The model works as follows – 1 common lead, 1 lead for siren function only, 1 lead for flashing light only. The device is also offered as a two lead device where the siren and light go on simultaneously.

Rated Voltage	12VDC
Operating Voltage	6~15VDC
Max.Rated Current	300mA
Min.Sound Pressure Level	110dB±3dB



Mounting holes are 3.25" and fit industry standard electrical

Model TRIP-6692LG – – 2 Wire (12VDC) Light/Siren Operate Simultaneously

Model TRIP-6692RLS – – 3 Wire (12VDC) Light/Siren Operate Independently